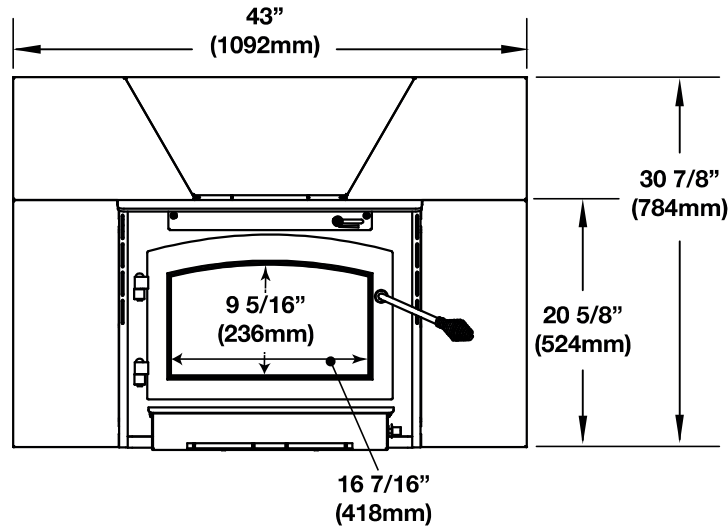




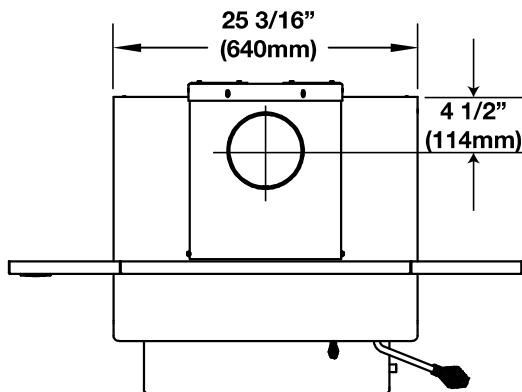
Model: **Outlander**[®] 19i

Overall Dimensions

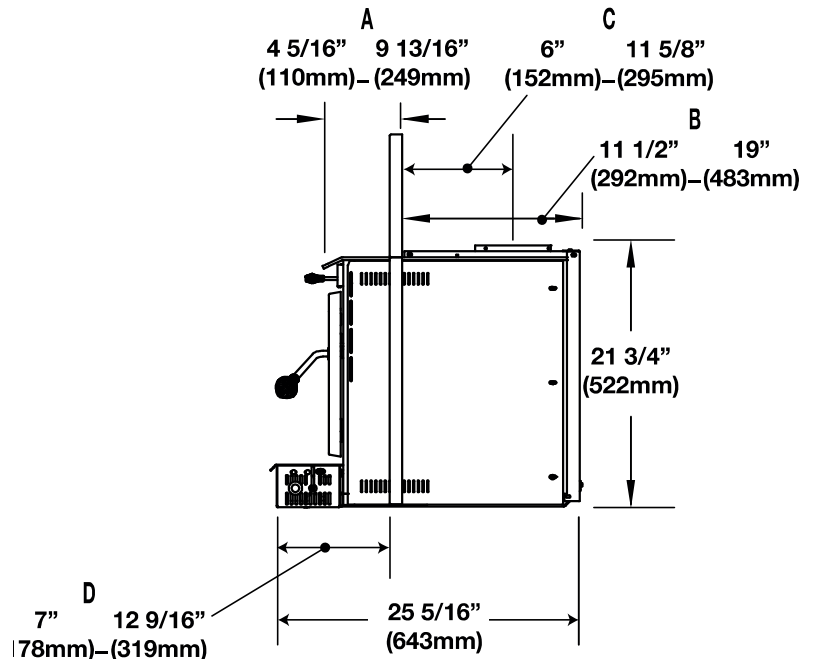
Front View



Top View



Side View





Model: Outlander® 19i

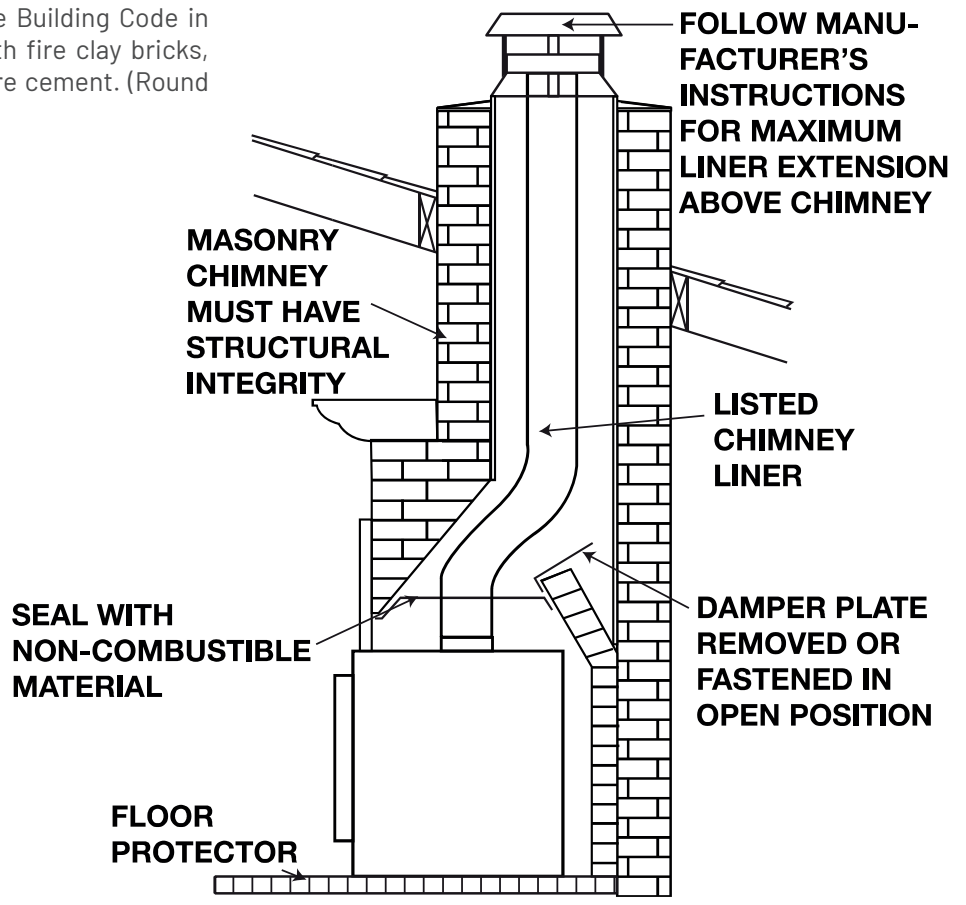
Specifications

BTU		FIREBOX		EFFICIENCIES			VENTING	
Cordwood	EPA	Cu. Ft	Log Length	g / hr	Optimal %	HHV	Type	Diameter
75,000	54,127	2.3	20	2.25 g	76 %	72 %	Class A	6-inch

GLASS		DIMENSIONS				BLOWER	
Type	Dimensions	Area sq in	Height	Depth	Width	Type	CFM
Ceramic	16.5" X 9.24"	152	21.75"	25.3"	25.3"	Optional - Heat activated, variable speed	150

Existing masonry installation

You can install your appliance using your existing masonry chimney. To do so, use the following guidelines. If you are using a masonry chimney, it is important that it be built in compliance with the specifications of the Building Code in your region. It must normally be lined with fire clay bricks, metal or clay tiles sealed together with fire cement. (Round flues are the most efficient).



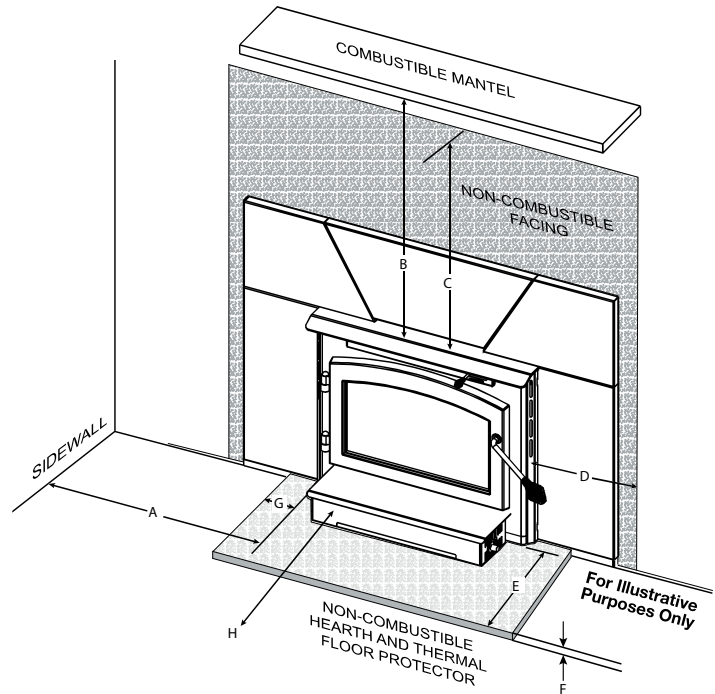


Model: Outlander® 19i

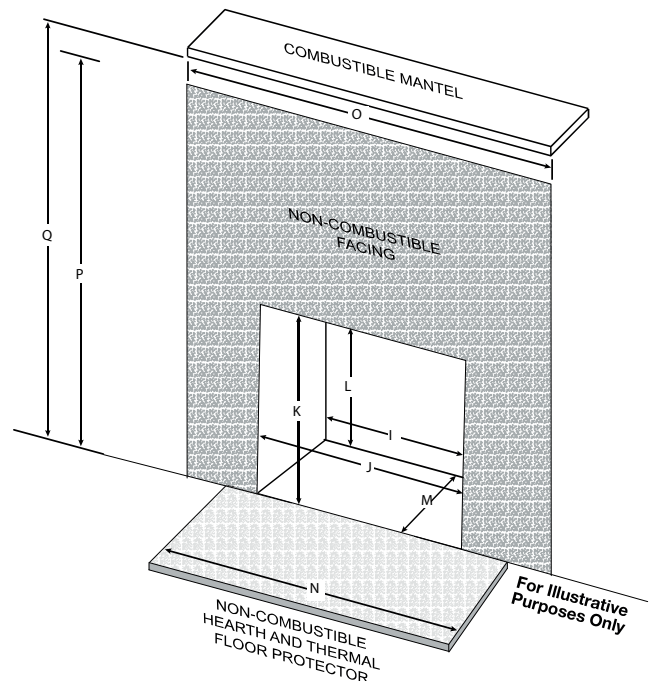
Minimum Clearance to Combustibles

Combustible material must not protrude more than 1" (25 mm) to the side of the insert or between the mantel and the top of the insert.

MINIMUM CLEARANCES		
A	Sidewall	16" (406 mm)
B	Mantel	30" (762 mm)
C	Top facing	22" (559 mm)
D	Side facing	10" (254 mm)
E	Hearth (front)	22" (559 mm)
F	Minimum hearth thickness	1" (25 mm)
G	Hearth (side)	8" (203 mm)
H	In front of insert	48" (1219 mm)



MINIMUM APPLIANCE SIZE		
I	Width (rear)	25.875" (657 mm)
J	Width (rear)	25.875" (657 mm)
K	Height (front)	22" (559 mm)
L	Height (rear)	22" (559 mm)
M	Depth	14" (356 mm)
N	Hearth width	41.375" (1051 mm)
O	Facing width	45.375" (1153 mm)
P	Facing height	42.625" (1083 mm)
Q	Mantel	30.625" (1286 mm)



HEARTH EXTENSION / FLOOR PROTECTION:

Must be non-combustible and extend 22" (559 mm) in front of the insert and 8" (203 mm) on both sides with a minimum thickness of 1" (25 mm) and a thermal conductivity factor (K) 0.84.

Clearances can be reduced with shielding acceptable to local authorities. Reduced installation must comply with NFPA 211 of CAN/CSA-B365.



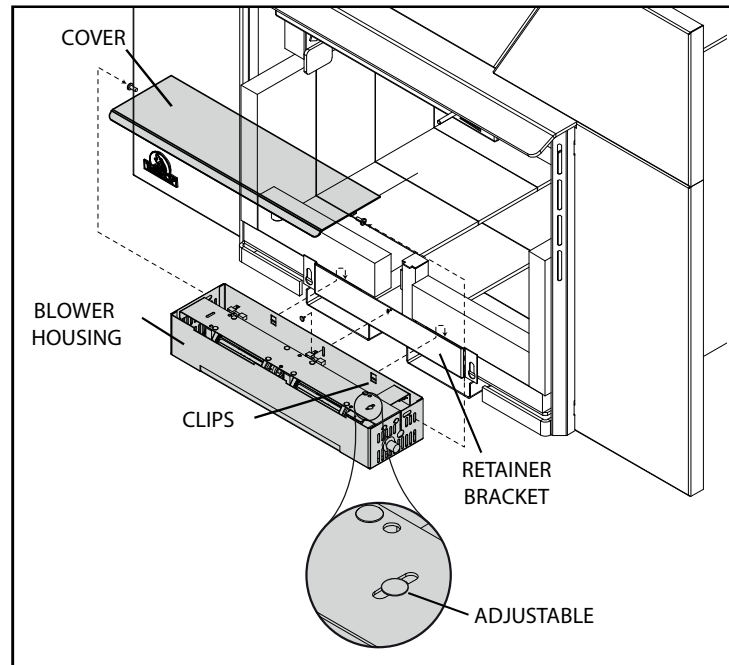
Model: Outlander® 19i

Blower Installation

This blower is thermally activated. Depending on the intensity of the fire, the blower will start 15-30 minutes after lighting. The thermal switch for the appliance is affixed to an adjustable bracket, which should be positioned so it is in contact with the blower housing as illustrated.

For shipping purposes the blower housing has been stored within the firebox. We recommend removing the door prior to installing the blower.

- A. Remove the two screws securing the cover. Set the screws aside.
- B. Engage the clips onto the retainer bracket and secure using the screw supplied.
- C. Re-attach the cover with the two screws previously removed.



Flashing Installation

- A. With the flashing close to its final position, assemble sides as illustrated using the supplied fasteners (Fig. 4-6).
- B. The flashing position on the insert is adjustable, allowing for varying fireplace cavity and/or hearth depths. Engage the tabs on the assembled side flashing into the appropriate slots on the insert for the desired final location.
- C. Adjust the blower chute tightly against the flashing and secure it in place.
- D. Insert the top piece as illustrated, the bolt together using the screws, lock washers and weldnuts provided (Fig. 4-7).
- E. Slide the appliance back into position.

